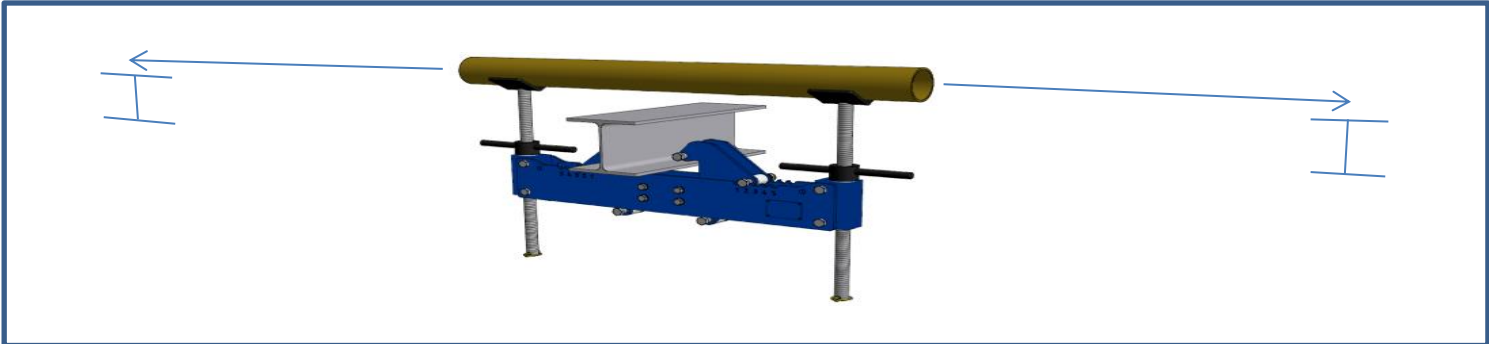




PIPE RACK JACK Pipe Weight Table



Write the length of the pipe to be lifted in the blue column.

To be sure, take the distance between the beam left and right of the beam on which the PRJ will act.

Then read the weight to be pushed up when the pipe is empty and when the pipe is fully filled

Pipe size in inches	Outside diameter in inches	Weight / foot		Length in feet	Weight pipe	
		pipe in pounds	water in pounds		empty in pounds	filled in pounds
1	1.315	1.7	0.3	46	77	93
1 1/2	1.902	2.7	0.8	46	125	160
2	2.374	3.6	1.3	46	168	230
2 1/2	2.874	5.8	2.1	46	266	363
3	3 1/2	7.6	3.0	46	349	488
4	4 1/2	10.8	5.4	46	498	745
5	5.563	14.6	8.4	46	674	1060
6	6.626	18.9	12.1	46	872	1428
8	8.626	28.6	21.5	46	1314	2303
10	10.748	40.5	33.6	46	1861	3406
12	12.748	49.6	48.4	46	2281	4507
14	14	54.6	59.8	46	2510	5261
16	16	62.6	79.3	46	2878	6525
18	18	70.6	101.5	46	3246	7913
20	20	78.6	126.3	46	3616	9428